

Push-To-Talk Over Cellular Radio

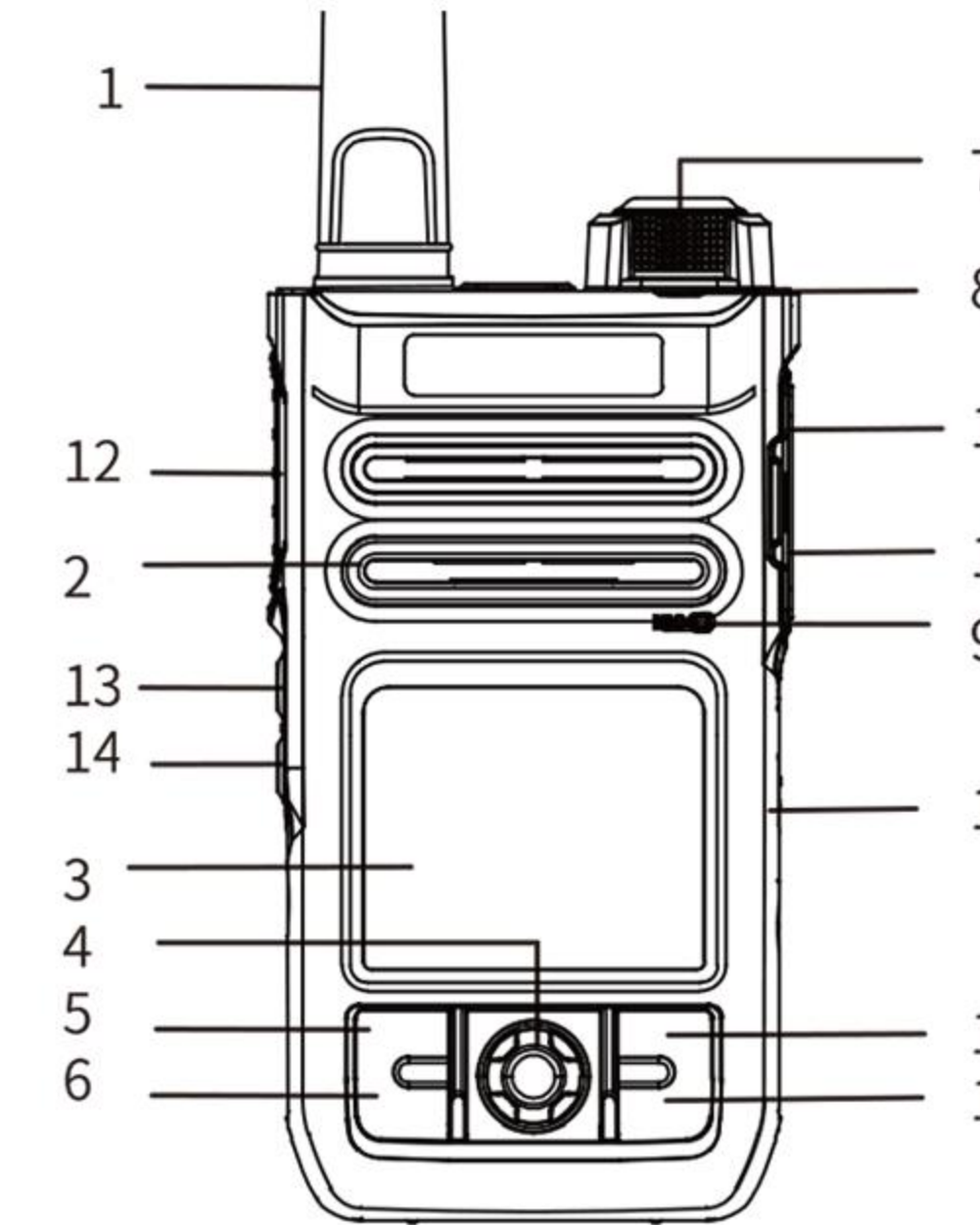
CONNECT FASTER. COLLABORATE BETTER.



H-28Y

- Support CDMA/GSM/WCDMA/LTE
- GPS/Glonass/Beidou Positioning
- Functional Dispatching System
- Android Operating System
- WiFi Function
- Bluetooth
- NFC (Optional)
- Compact & Heavy-duty Design
- Large Battery Capacity:4000/4400/5000/6000mAh
- 1.77-inch Color Screen
- Support Voice Broadcast and Mute

Radio Overview



Parts	Functions	Parts	Functions
1.Antenna	LTE 4G main antenna	12.PTT Button	To trigger and release call: Press to talk and release to finish.
2.Speaker	Electrical signal is converted into acoustic signal	13.Side button 1	Short press to continuously broadcast the current group, current user. Long press to enter one key alarm.
3.LCD	Display User interface	14.Side button 2	Short press to switch groups. Long press to change the keyboard
4.Navigation key	In standby, you can select the application on the interface.	15.Earphone Jack	3.5mm
5.MENU Button	Enter menu	16.USB Port Type-C	Used to connect to computer PC software or to charge
6.OK Key	Confirm button	17.SIM card slot	Micro SIM
7.Knob button (Volume button/Long press to switch it On/Off)	Press and hold the button for 3 seconds to On/ Off, rotate the knob clockwise to increase volume, rotate counterclockwise to decrease volume Short press to on/off screen.		
8.Status Indicator	View product specifications in detail		
9.MIC	Convert audio signal to electric signal		
10.Return key	Return to the previous menu, no effect under the main menu; During Voice call mode, short press to exit.		
11.HOME Button	Press to return to the main menu on any page (except the main menu)		

Specification

Item	Description	Remark	Item	Description	Remark	
Network	Asia Version	<ul style="list-style-type: none"> ■ GSM: Band2/3/8 ■ CDMA: 1X BCO ■ CDMA: 2000 Evdo Rev.A 800MHz ■ TD-SCDMA: Band34/39 ■ WCDMA: Band1/5/8 ■ TDD-LTE: Band38/39/40/41 ■ FDD-LTE: Band1/3/5/8 	Frequency bands can be customized	Battery	Type	Li-polymer
	Euro Version	<ul style="list-style-type: none"> ■ GSM: Band2/3/5/8 ■ WCDMA: Band1/2/5/8 ■ TDD-LTE: Band38/40 ■ FDD-LTE: Band1/2/3/5/7/8/20/28 		Capacity (mAh)	4400	
	US Version	<ul style="list-style-type: none"> ■ GSM: 850MHz,1900MHz ■ WCDMA: Band1/2/4/5/8 ■ FDD-LTE: Band1/2/4/5/7/12/13/17/25/26 		Charger current	1000mA	
Operation System	Android 5.1	TDD CAT4 FDD CAT4		Charging Time	≤6 Hours	
Dimensions	Includes Battery	120mm*61mm*41mm	Memory	ROM	4GB	
Weight	Includes Battery and Antenna	Around 245g		RAM	4Gb LPDDR2	
LCD	Size (inch)	1.77	Sound	Line-Control Earphone	YES	
	Resolution	160*128		Speaker	8R/1W	
Connectors	Charger	YES	Bluetooth	BT	BT4.0	
	Type-C	Charging & Data transfer		WIFI Direct	YES	
	SIM Card	YES	WIFI	Wi-fi Router Android Hotspot(Wi-Fi Tethering)	YES	
GPS	GPS	YES	Hybrid Positioning			
Beidou	Beidou	YES	Others	Working Temperature	-20°C ~ 55°C	
				Ingress Protection (IP) Rating	IP54	
				Dropping	1.2m	

Standard Accessories



Antenna

Battery

Belt Clip

AC Adaptor

Hand strap